

# RESERVA 450 WALL HUNG BASIN

Cat. No  
4-34X



Faucet not included



Mounting hardware

W: 17-<sup>3</sup>/<sub>4</sub>"  
D: 16-<sup>1</sup>/<sub>8</sub>"  
H: 6-<sup>7</sup>/<sub>8</sub>"  
Water depth to OF: 2-<sup>3</sup>/<sub>4</sub>"

Back of basin to center of faucet: 2"  
Back of basin to center of drain: 7"

### Interior Dimensions:

Basin interior: 16-<sup>1</sup>/<sub>4</sub>" x 15-<sup>1</sup>/<sub>2</sub>"  
Basin depth: 4-<sup>3</sup>/<sub>8</sub>"  
Mount holes cc: 7"

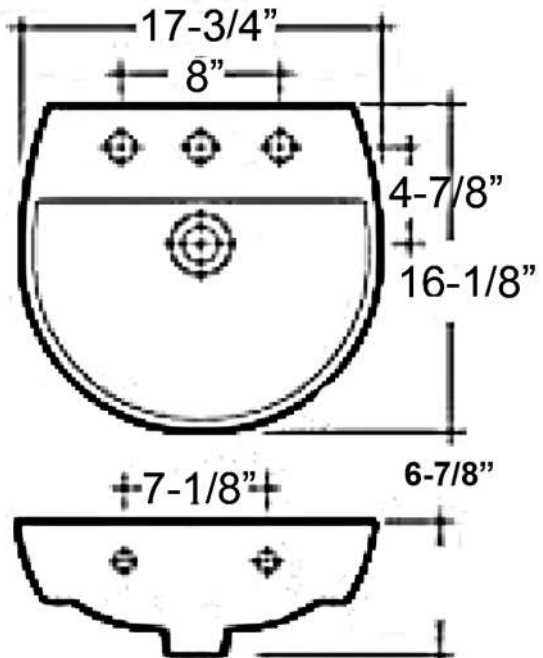
### Features:

- ▶ Wall hung installation
- ▶ Made of Vitreous China
- ▶ Pre-drilled overflow hole
- ▶ Available with 1-hole (4-341) ,4" centerset (4-344) 8" widespread (4-348)
- ▶ Mounting hardware included

### Colors:

WH White

Meets or exceeds the following specifications: ASME A112.19.2 2018 and CSA B45.1-18 for ceramic plumbing fixtures.



Dimensions of fixture are nominal and may vary within the range of tolerances established by ASME Standard A112.19.2-2018. Dimensions and specifications subject to change without notice.